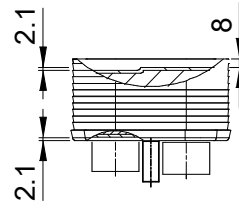
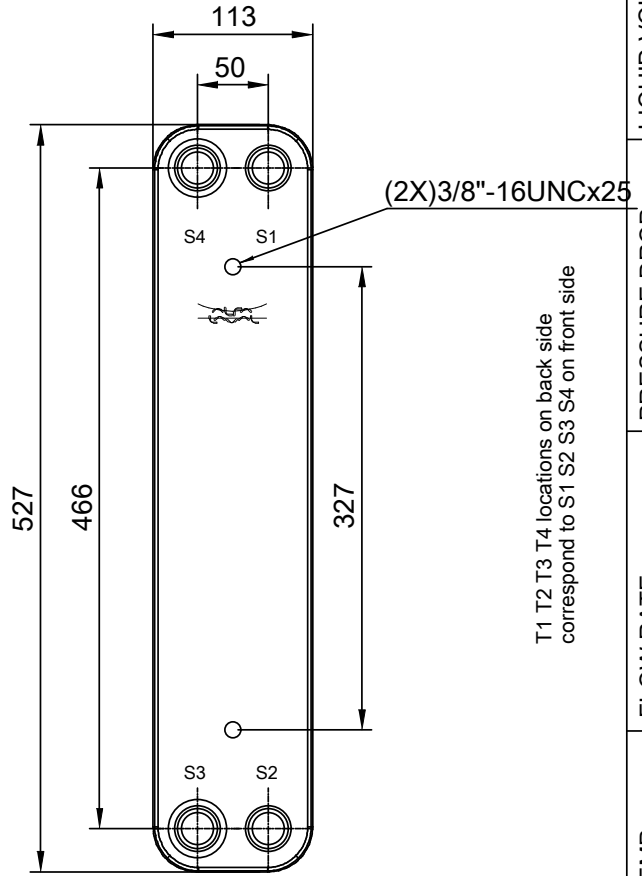
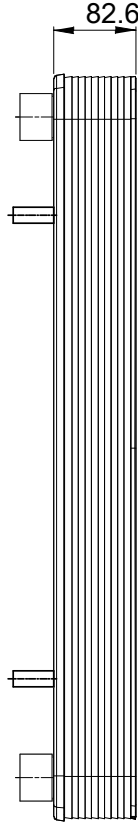
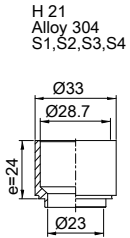


Note that all unique customer requirements (i.e tolerance) need to be verified thru Alfa Laval.



Frameplate is depressed 2.1 mm at connections S3 and S4 if holed.
Pressureplate is depressed 2.1 mm at connections T3 and T4 if holed.

HEATING SURFACE
NETWEIGHT 8.03 kg
OPERATING WEIGHT
PLATE MATERIAL Alloy 316
PLATE GROUPING 1*14H/1*15H

ALL DIMENSIONS IN MILLIMETERS

SIDE	MEDIA	INLET	TEMP.	OUTLET	TEMP.	FLOW RATE	PRESSURE DROP	LIQUID VOL.
1								1.44 dm ³
2								1.54 dm ³

PRESSURE VESSEL APPROVAL

UL/CRN

CBH60-30H S52 (3287103912)

www.alfalaval.com

CUSTOMER NAME / REF. NO.

COMPANY / REF.

TOTAL LENGTH 108.6 mm
TOTAL WIDTH 113.0 mm
TOTAL HEIGHT 527.0 mm

8/24/2017
REV 0